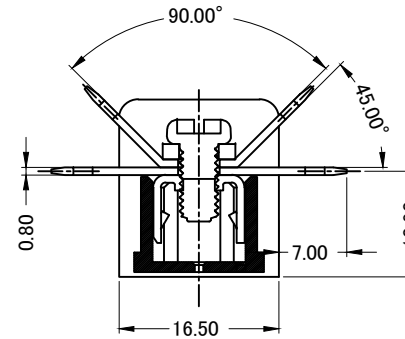
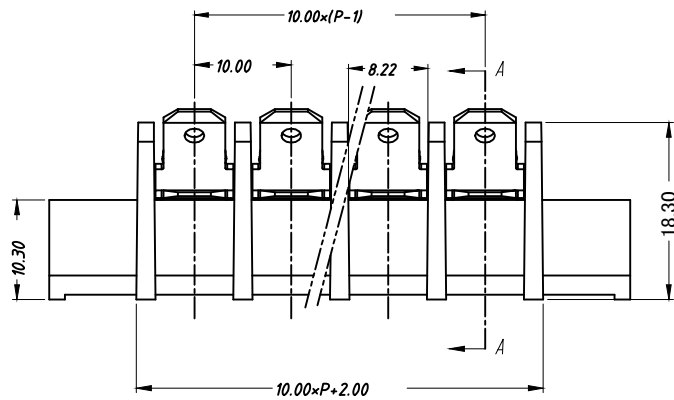
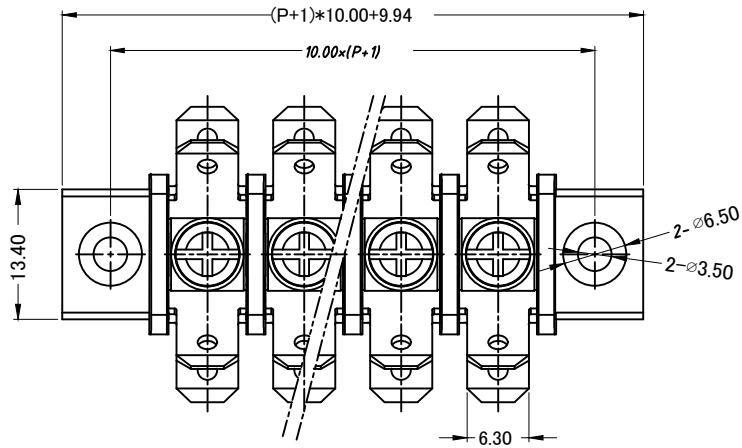


REVISION RECORD			
REV.	CONTENT	MOD.	DATE
△	初版发行		



SECTION A-A

NOTES:
 Pitch : 10.0mm
 Rated Voltage : 300V
 Rated Current : 20 A
 Withstand Voltage :
 AC2500V for 1 minute
 Using Temperature Range :
 - 40°C ~ + 130°C
 Wire range : 22~12 AWG
 Screw Torque Value : 1.2Nm

技术要求:
 间距: 10.0mm
 额定电压: 300V
 额定电流: 20A
 耐压值: AC2500V/min
 使用条件: -40°C~+130°C
 适用线规: 22~12 AWG
 螺丝扭矩: 1.2Nm

	pitch dimension			Nominal dimension					— □ ○
	over 0	over 6	over 10	over 0	over 30	over 60	over 100	over 150	
variable range	to 6	to 10	to 24	to 30	to 60	to 100	to 150		
Tolerance	±0.1	±0.15	±0.25	±0.2	±0.3	±0.5	±0.7	±1.0	0.05/10

5	LW1-10.0-双头插片2号(45度)	LW1-10.0-双头插片2号(45度)	P	黄铜	镀锡
4	LW1-10.0-双头插片1号(180度)	LW1-10.0-双头插片1号(180度)	P	黄铜	镀锡
3	M4*8-7.5*7.5	SQFFA408043V	P	碳钢	镀镍
2	LW1B-9.5-焊脚	5002B0002AV	P	黄铜	镀雾锡
1	LW1-10.0-本体	5009A0YXXAV	1	PBT	
NO.	NAME OF PART	NO. OF PART	Q'TY	MATERIAL	NOTES
DES.	CMZ	DATE	26/05/12	UNITS	MM
CHK.		DATE		SIZE	A4
APP.		DATE		SCALE	1:1
				DWG NO.	SP-2-5009022
				REV:	VO
上海联捷电气有限公司 Shanghai Elinker Electric Co., Ltd.				TITLE	LW1A41-10.0-XXP-1Y-00A
					LW1A41-10.0-成品